

锰锌氧铁材料规格尺寸 Specification and Dimensions of **MnZn** Ferrtie Material

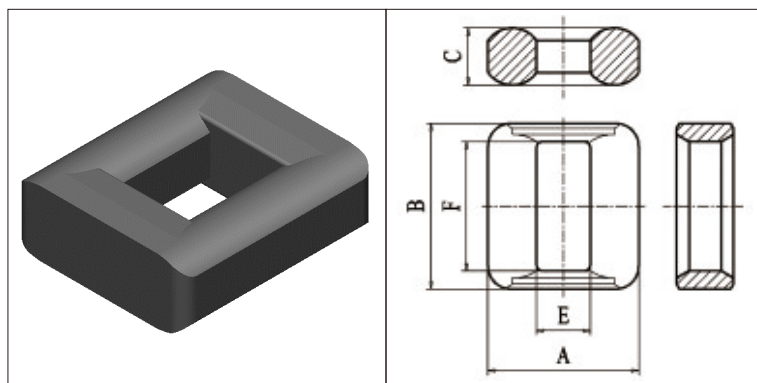


FIG.1

FT 型 / FT Core

型号 TYPE	图例 FIG.	尺寸 Dimensions (mm)				
		A	B	C	E	F
FT17.5/12.2/16C	1	17.5±0.4	12.2±0.3	16±0.4	8.2min	3±0.2
FT17.5/24/6B	1	17.5±0.2	24±0.2	6±0.2	6.5±0.2	20±0.2
FT20.6/19.6/5	1	20.6±0.3	19.6±0.3	5±0.2	11.2±0.3	11.1±0.3
FT23.1/23.1/8.8	1	23.1±0.3	23.1±0.3	8.8±0.2	7.8±0.3	14.8±0.3
FT23A	2	23.0±0.2	18.8±0.2	7.0±0.2	15.0±0.2	10.8±0.2
FT24.8/20/8.2	2	24.8±0.65	20±0.5	8.2±0.25	16.2±0.45	8.6±0.25
FT27.6/21.6/10.5	1	27.6±0.4	21.6±0.3	10.5±0.2	8.8±0.3	13.3±0.3
FT31.4/22.4/23A	2	31.35±0.4	22.35±0.3	23±0.4	19.4±0.4	10.4±0.3
FT31.5/22.8/7.8	2	31.55±0.75	22.75±0.55	7.8±0.2	18.5±0.9/-0	9.6±0.5/-0
FT32/26/12	1	32±0.5	26±0.4	12±0.2	10±0.5	16.5±0.4
FT34.5/26/12	1	34.5±0.55	26±0.4	12±0.3	12.5±0.3	16.5±0.3
FT36/37.8/13	1	36±0.5	37.8±0.5	13±0.3	11.9±0.3	23.5±0.4

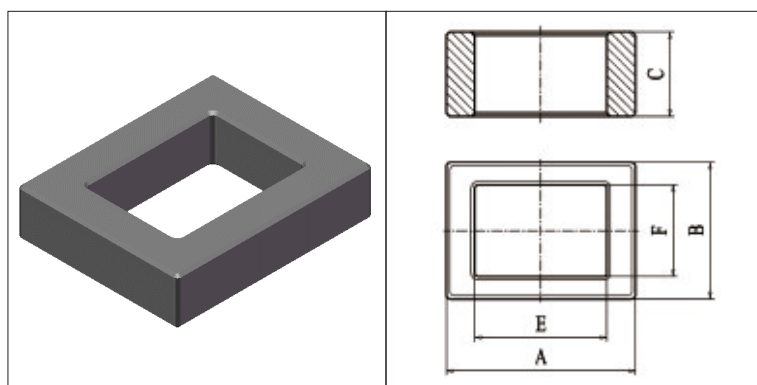


FIG.2

FT 型 / FT Core

型号 TYPE	图例 FIG.	参数 Parameters				AL(Ref)*		重量(Ref) g /PRS
		C1	Ae	Le	Ve	TP4A	TPW33	
FT17.5/12.2/16C	1	0.51	73.31	37.17	2725.2	4400	5600	14.16
FT17.5/24/6B	1	3.19	17.9	57.05	11.83	2160	3940	7.1
FT20.6/19.6/5	1	2.63	22.29	58.55	21.25	2600	4780	8.09
FT23.1/23.1/8.8	1	1.22	48.75	59.66	36.52	5650	10200	15.53
FT23A	2	2.29	28.0	64.17	28.0	3000	5480	17.8
FT24.8/20/8.2	2	1.56	41.2	64.4		4420	8000	13.5
FT27.6/21.6/10.5	1	0.97	60.02	58.37	43.58	7100	12900	21.23
FT31.4/22.4/23A	2	1.40	28.08	39.23	21.28	4900	9000	52.8
FT31.5/22.8/7.8	2	1.56	49.85	77.62		4400	8070	19.7
FT32/26/12	1	0.86	79.73	68.78	57.0	8000	14500	33.44
FT34.5/26/12	1	0.95	76.9	73.1		7270	13200	35.18
FT36/37.8/13	1	0.80	120.8	96.3	93.0	8670	15700	59.3

*-Al为磁心对应参考值,具体规格以双方签订承诺书为准; AL测试条件:1kHz 0.3V 10Ts; AL单位:nH/N2

*-图例仅展示产品形状,具体细节以实物或以双方签订承诺书为准。